



Web Handling Product Brochure

- Air shafts & chucks
- Anti-Wrinkle systems
- Trim & matrix removal
- Shaft holders & safety chucks
- Rollers & roller assemblies
- Unwind & rewind
- Slitting
- Brakes

Converter Accessory Corporation

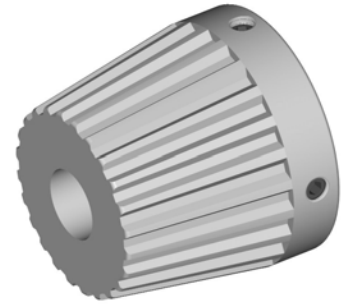
201 Alpha Road
PO Box 188
Wind Gap, PA 18091-0188
Phone: 800-433-2413 • 610-863-6008
Fax: 800-709-1007 • 610-863-7818
www.converteraccessory.com
Email: sales@converteraccessory.com



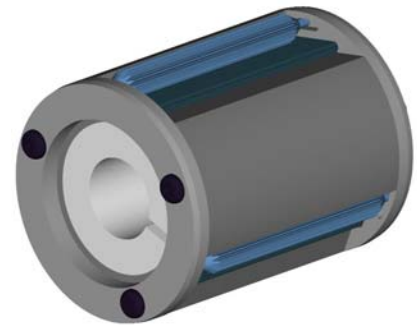
COR-LOK[®] Air Shafts ▪ Air Chucks ▪ Mechanical Chucks ▪ Core Cones ▪ Core Adapters



Leaf style air shafts



Core cones—great for crushed



Auto-locking mechanical chucks



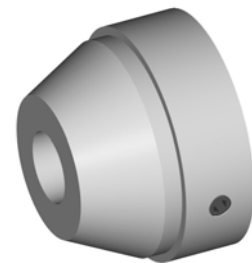
Easy, built-in inflate / deflate



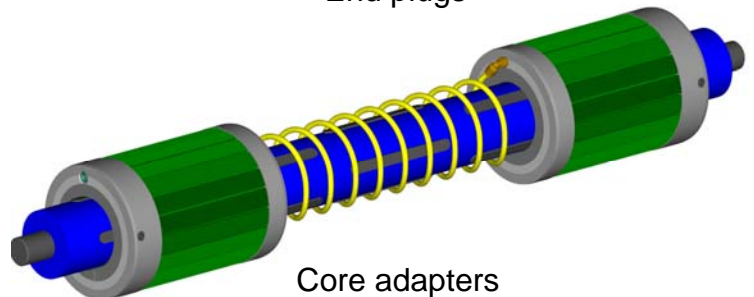
Air chucks



Lateral adjust



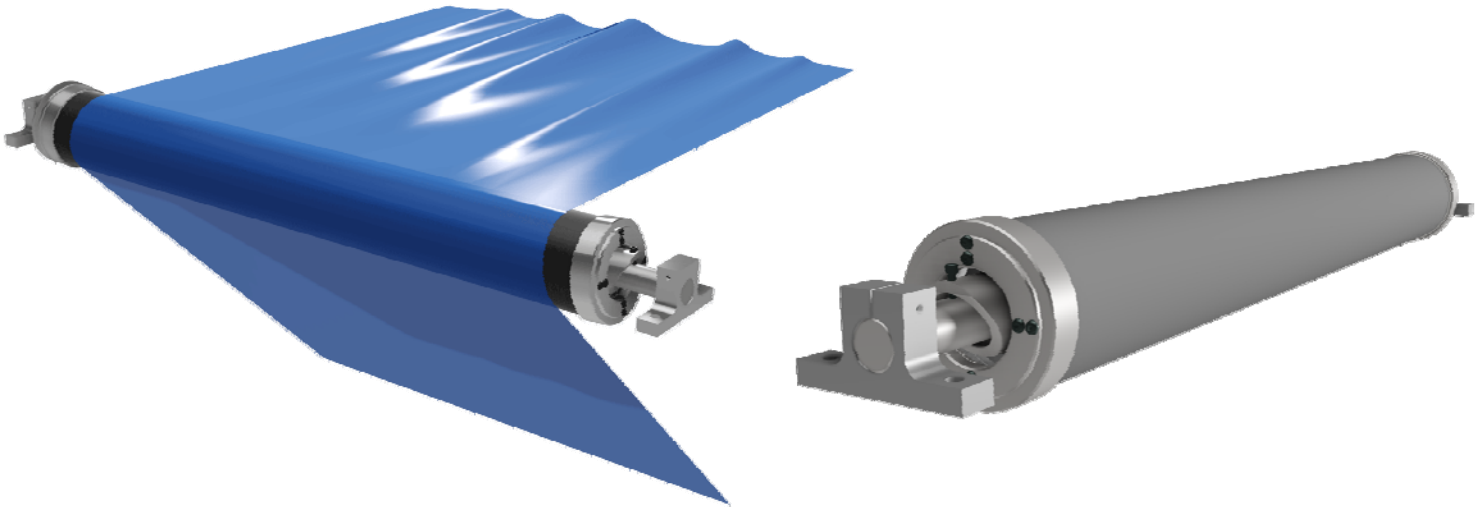
End plugs



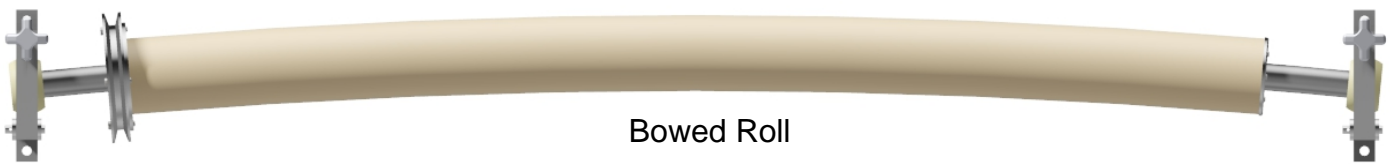
Core adapters

Anti-Wrinkle Systems

WrinkleSTOP® Smooth, No-Bow Rolls ▪ Adjusta-Pull Nip® ▪ Scroll Roll Grooved Roll



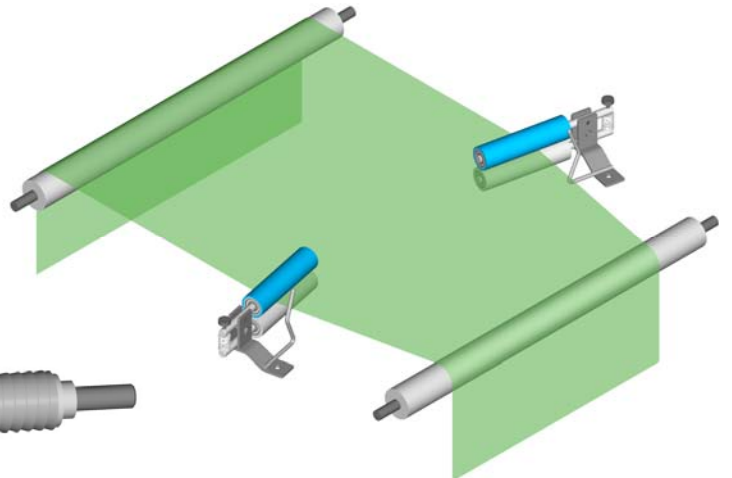
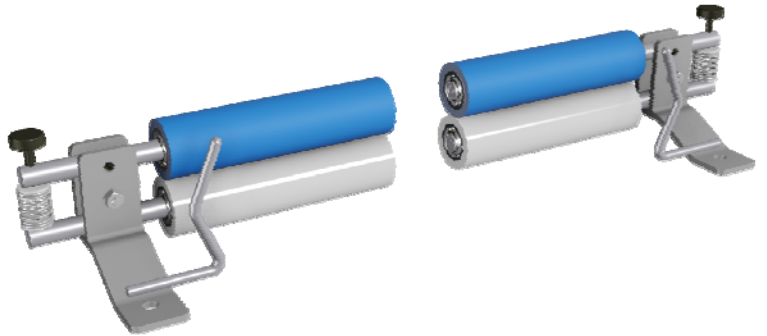
WrinkleSTOP® Smooth Surface, No-Bow Anti-Wrinkle Rolls



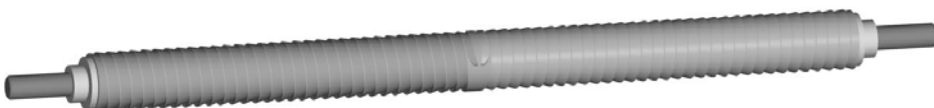
Bowed Roll



WrinkleSTOP in action

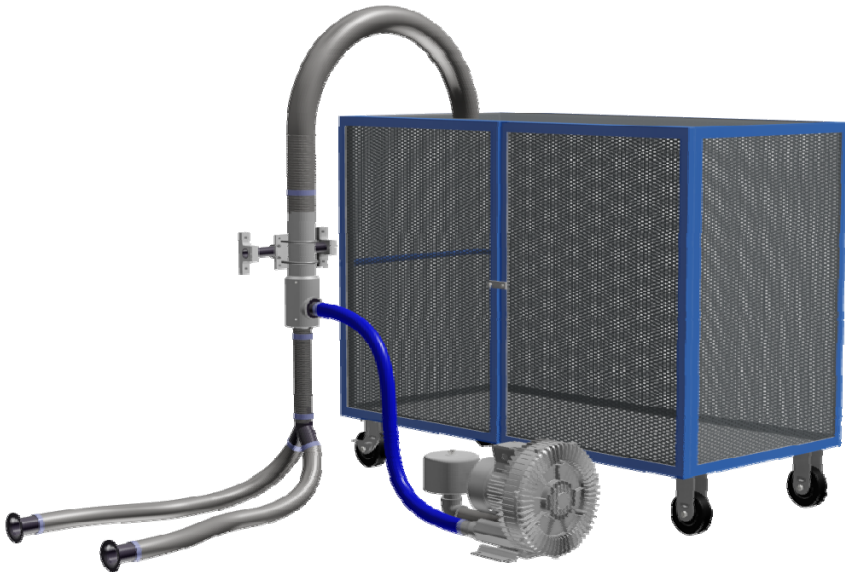


Adjusta-Pull operation



Scroll Roll Grooved Roll

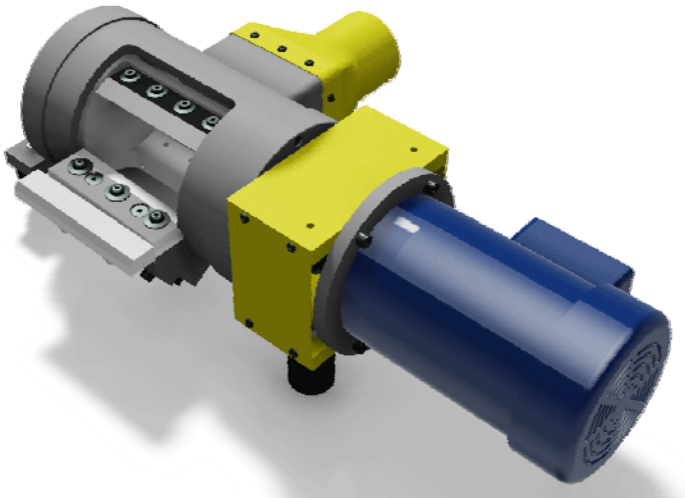
FOX TrimAway® Pneumatic Trim Removal Systems ▪ Components ▪ Choppers ▪ Portable Systems



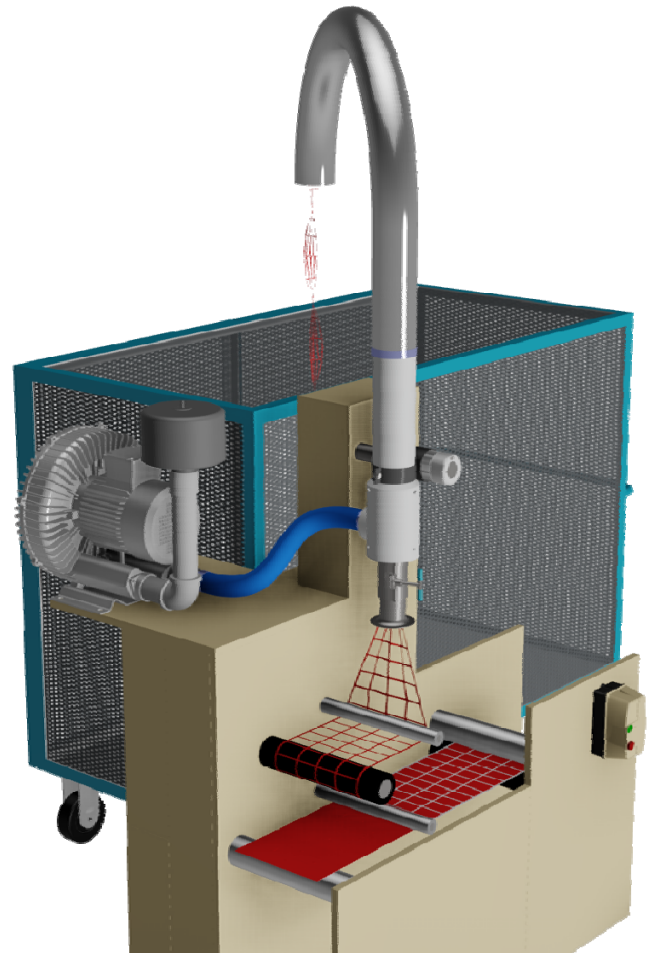
Standard FOX Trim Removal System



FOX Runner—Portable System



Trim Chopper
(shown without guards)



Matrix Removal System

Trim Removal Components



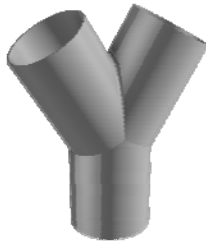
FX2

FX3

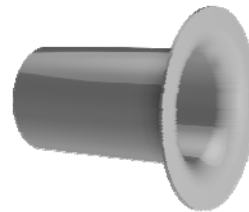
Venturis



Regenerative Blowers



Y Connector



Pick Up Nozzle

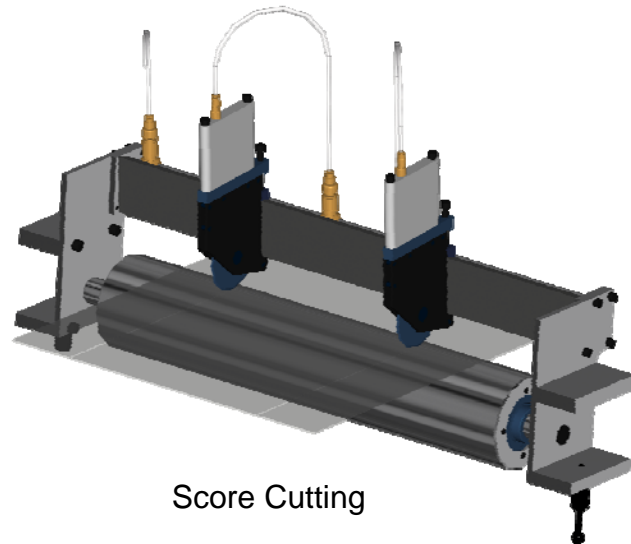
Slitting



Shear Cut Edge Trim
Assembly Right Side

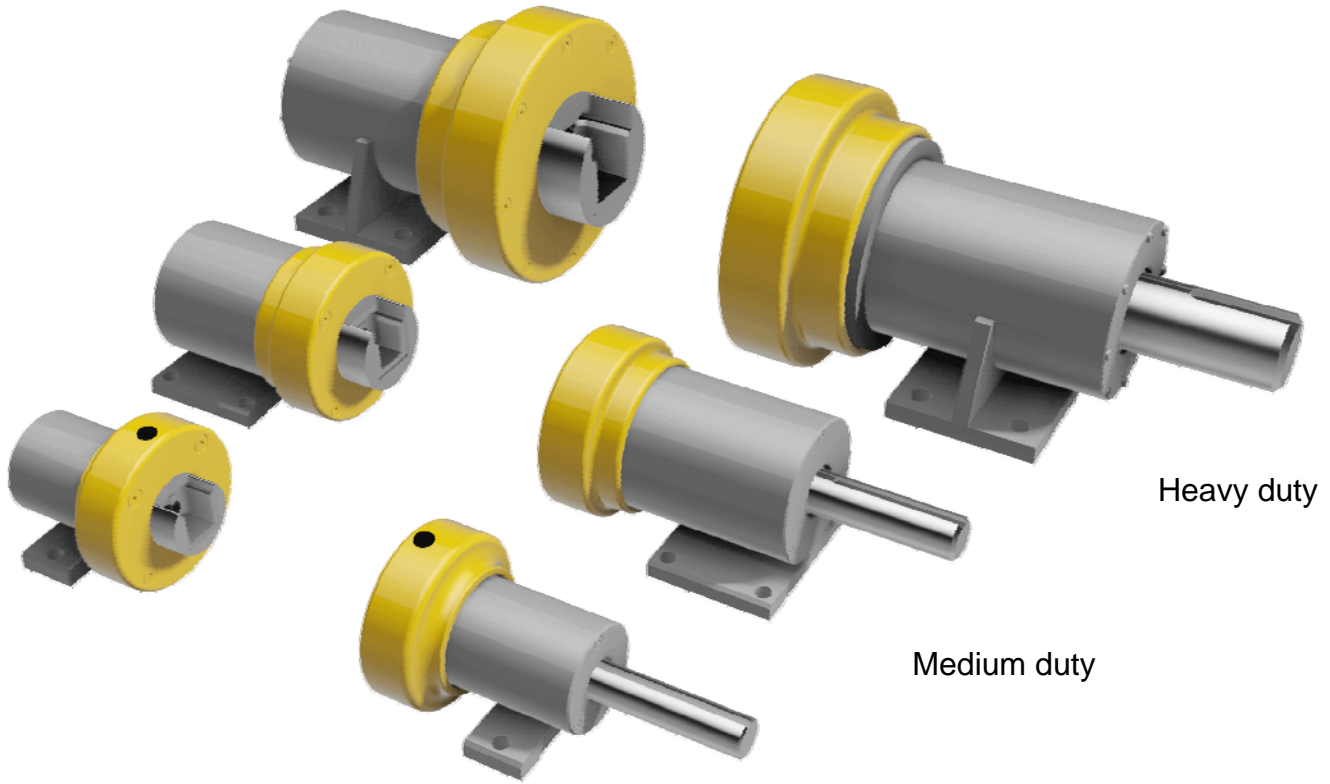


Shear Cut Edge Trim
Assembly Left Side



Score Cutting

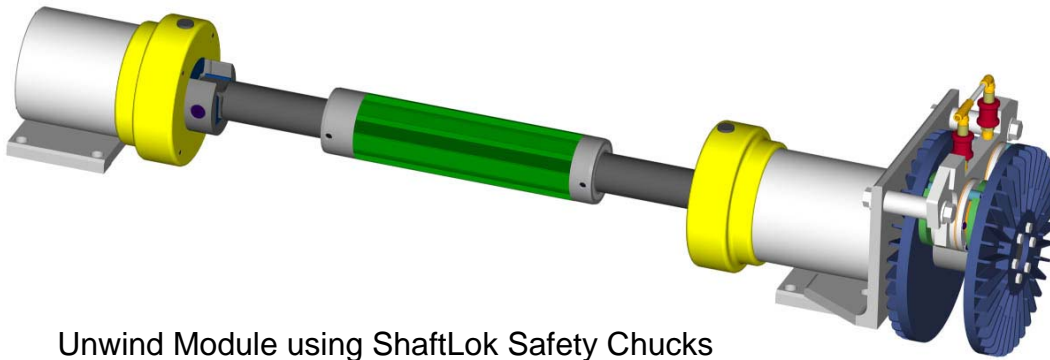
ShaftLok™ Safety Chucks Unwind and Rewind Modules



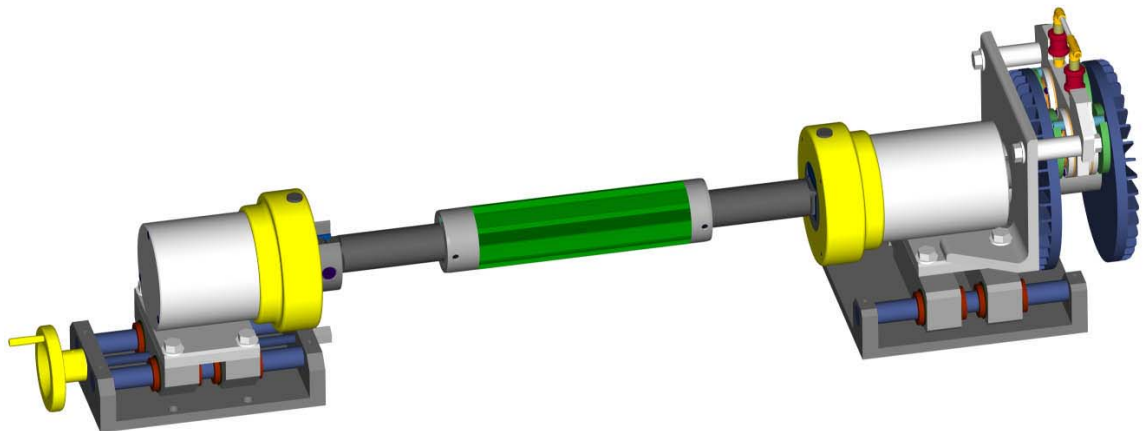
Heavy duty

Medium duty

Standard duty

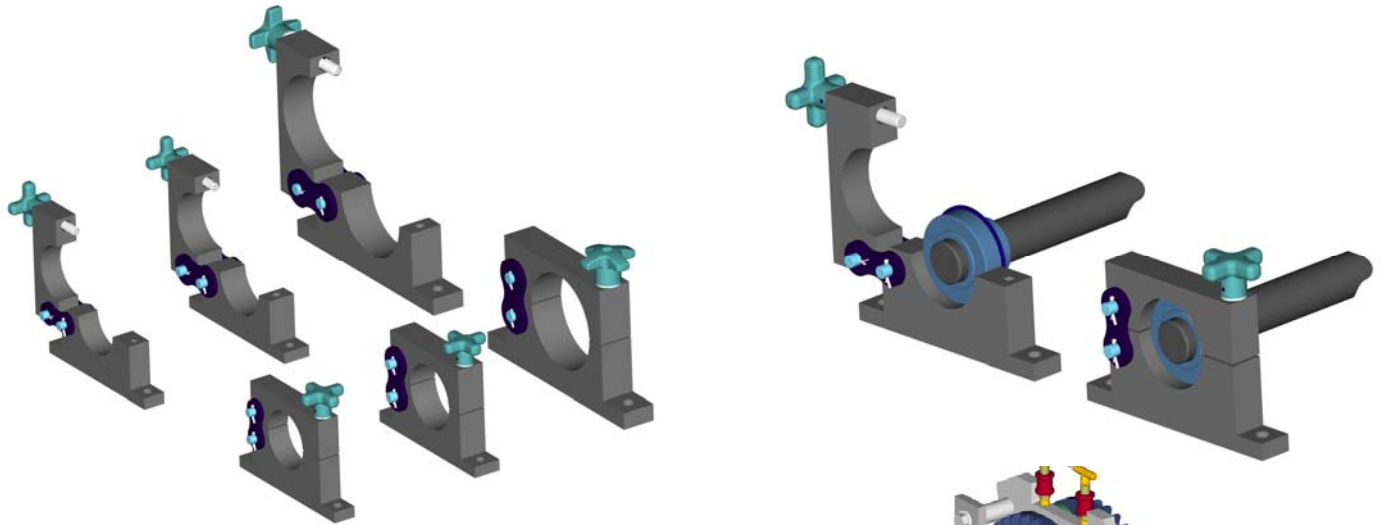


Unwind Module using ShaftLok Safety Chucks

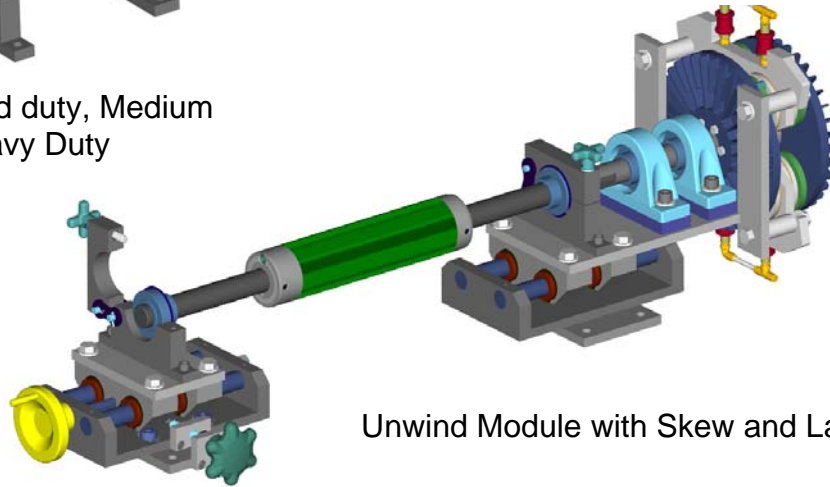


Unwind Module with Lateral Adjust

SimpLok[®] Shaft Holders - Unwind and Rewind Modules

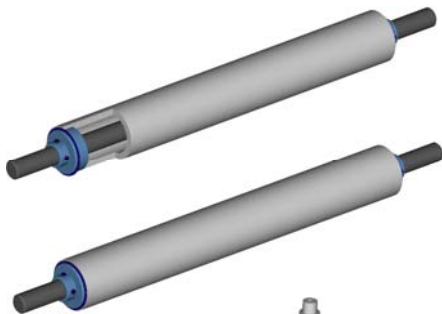


Available in Standard duty, Medium duty and Heavy Duty

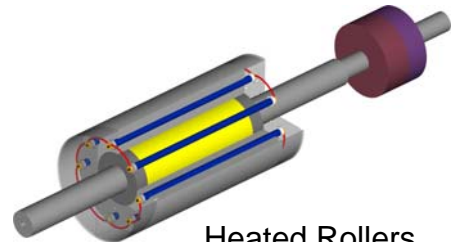


Unwind Module with Skew and Lateral Adjust

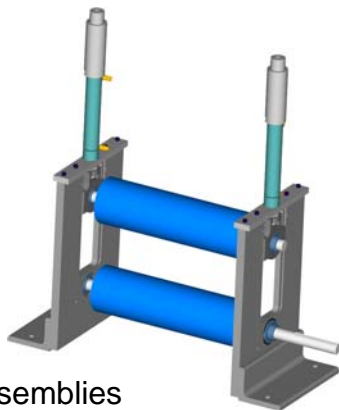
Rollers - Roller Assemblies



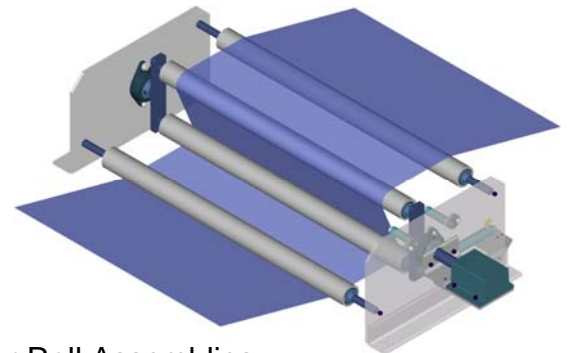
Idler Rollers



Heated Rollers

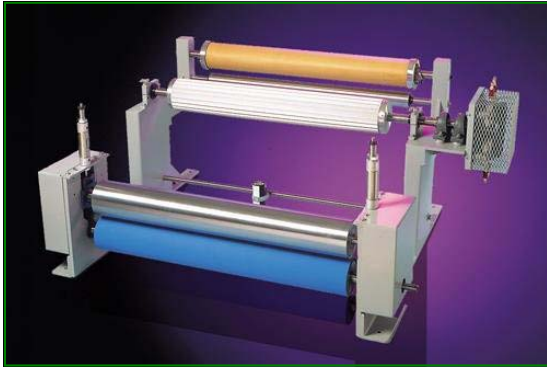


Nip Roll Assemblies



Dancer Roll Assemblies

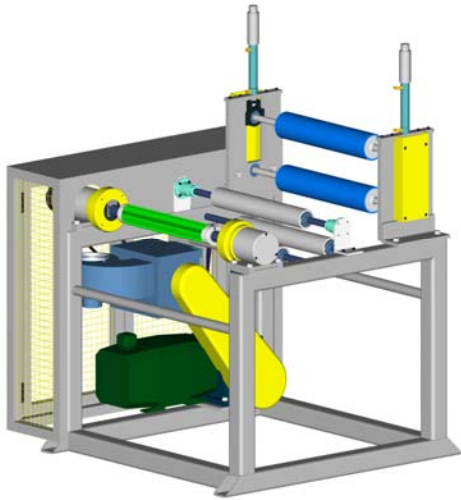
Custom Unwind and Rewind Stands



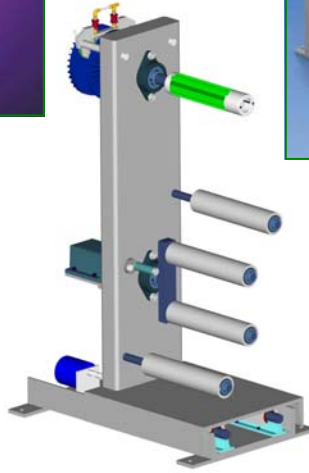
Unwind with Nip



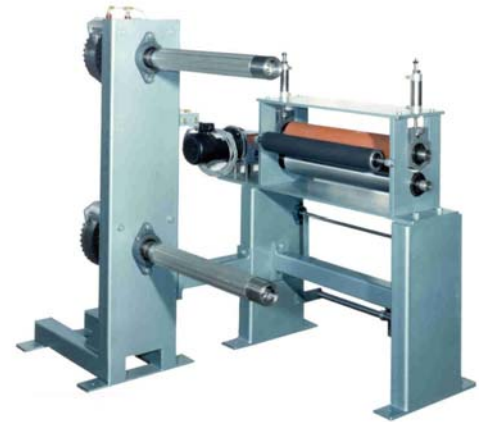
Unwind / S-wrap / Rewind



Rewind with Built-in Driven Nip Roll Assembly

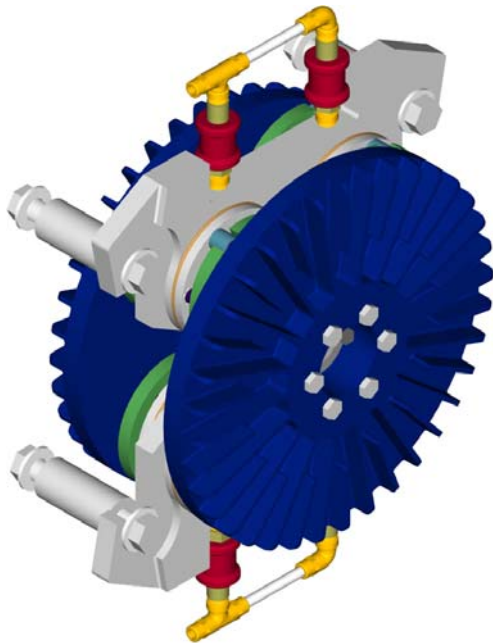


Cantilevered unwind

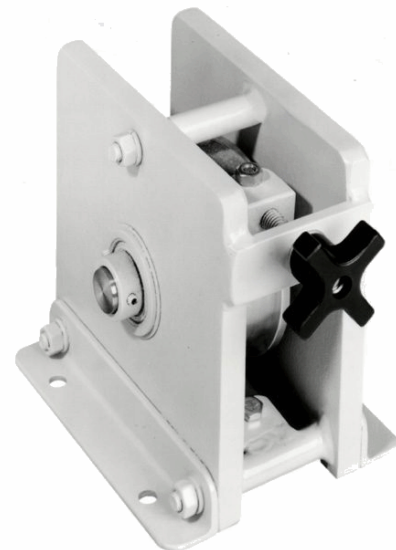


Dual Station, Cantilevered Unwind with Nip Roll Assembly

Brakes



Air Brakes



Strap Brakes